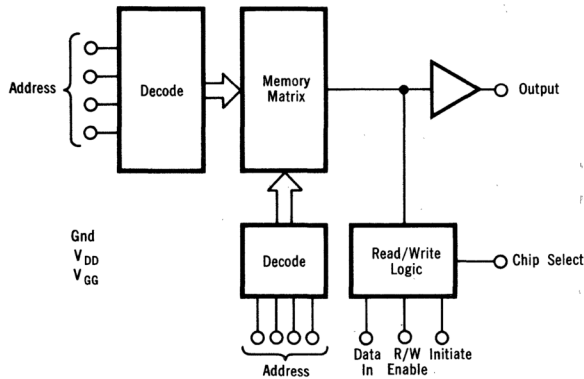


MOS INTEGRATED CIRCUITS COMING SOON

3531 — 256 BIT RANDOM ACCESS MEMORY

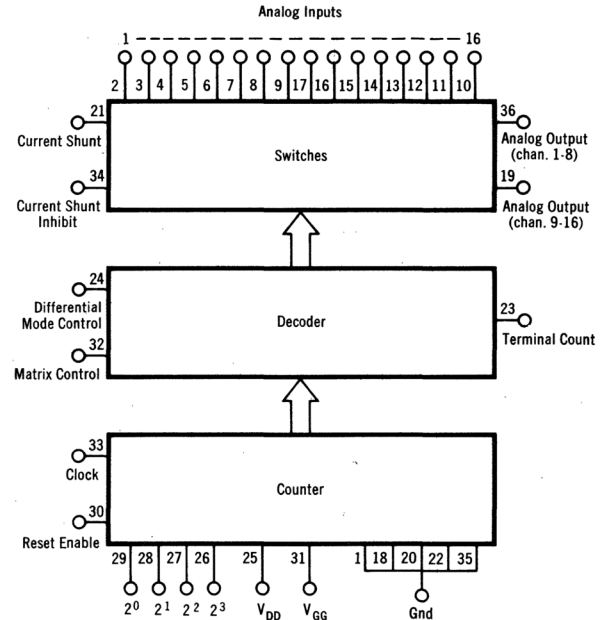
The 3531 is a monolithic MOS/LSI two hundred fifty-six bit random access non-destructive read out (NDRO) memory with decode and output buffers on chip. The memory is arranged as 256 one-bit words, which may be addressed one at a time by means of 8 address lines.

Address: 8 pins
 Supplies: 3 pins
 Input: 1 pin
 Output: 1 pin
 Chip select: 1 pin
 Read/Write: 1 pin
 Strobe: 1 pin
 16 pins



3716 — 16 CHANNEL MULTIPLEXER

The 3716 is an analog or digital multiplexer which may be used as a single 16 channel, a dual 8 channel or a differential 8 channel multiplexer. The 3716 channel selection can be made in a random access, or sequential mode.



3804 — 4 BIT CPU ELEMENT

The 3804 is an MOS/LSI device that functions as a 4 bit slice of a Central Processing Unit. It is expandable to any word length in 4 bit increments. The 3804 performs the logic functions of OR, AND, Exclusive NOR and Compare, and the arithmetic functions of ADD or Subtract (A-B or B-A). It has the capability of signed or unsigned operation as well as the capability to shift right or left for multiply or divide operation.

