

The Engineering Staff of
TEXAS INSTRUMENTS INCORPORATED
Semiconductor Group



**TMS 9901
PROGRAMMABLE
SYSTEMS
INTERFACE**

JULY 1978

TEXAS INSTRUMENTS
INCORPORATED

IMPORTANT NOTICES

Texas Instruments reserves the right to make changes at any time in order to improve design and to supply the best product possible.

TI cannot assume any responsibility for any circuits shown or represent that they are free from patent infringement.

Copyright © 1978
Texas Instruments Incorporated

TABLE OF CONTENTS

1. INTRODUCTION	
1.1 Description	1
1.2 Key Features	1
1.3 Application Overview	1
2. ARCHITECTURE	
2.1 CRU Interface	2
2.2 Interrupt Interface	5
2.3 Input/Output Interface	5
2.4 Programmable Ports	9
2.6 Power-Up Considerations	10
2.7 Pin Descriptions	11
3. APPLICATIONS	
3.1 Hardware Interface	12
3.2 Software Interface	13
3.3 Interval Timer Application	15
4. TMS 9901 ELECTRICAL SPECIFICATIONS	
4.1 Absolute Maximum Ratings Over Operating Free Air Temperature Range (Unless Otherwise Noted)	19
4.2 Recommended Operating Conditions	19
4.3 Electrical Characteristics Over Full Range of Recommended Operating Conditions (Unless Otherwise Noted)	19
4.4 Timing Requirements Over Full Range of Operating Conditions	19
4.5 Switching Characteristics Over Full Range of Recommended Operating Conditions	20
5. MECHANICAL DATA	
5.1 TMS 9901 — 40 Pin Ceramic Package	21
5.2 TMS 9901 — 40 Pin Plastic Package	22

LIST OF ILLUSTRATIONS

Figure 1	Typical TMS 9901 Programmable System Interface (PSI) Application	2
Figure 2	TMS 9901 PSI Block Diagram	3
Figure 3	TMS 9901 PSI Interrupt Control Block Diagram	6
Figure 4	TMS 9901 I/O Interface Section	8
Figure 5	Input and Output Equivalents	8
Figure 6	TMS 9901 Interval Timer Section	9
Figure 7	TMS 9900/TMS 9901 Interface	12
Figure 8	TMS 9981/TMS 9901 Interface	13
Figure 9	TMS 9900 Sample Software To Control The TMS 9901	14
Figure 10	TMS 9901 Interval Timer Application Flowchart	16
Figure 11	Interval Timer	17
Figure 12	Switching Characteristics	20

LIST OF TABLES

Table 1	CRU Bit Assignments	4
Table 2	Interrupt Code Generation	4
Table 3	TMS 9980A or TMS 9981 Interrupt Level Data	7
Table 4	TMS 9901 Pin Assignments and Functions	11

1. INTRODUCTION

1.1 DESCRIPTION

The TMS 9901 Programmable Systems Interface (PSI) is a multifunctional component designed to provide low cost interrupt and I/O ports and an interval timer for TMS 9900-family microprocessor systems. The TMS 9901 is fabricated using N-channel silicon-gate MOS technology. The TMS 9901 is TTL-compatible on all inputs and outputs, including the power supply (+5 V) and single-phase clock.

1.2 KEY FEATURES

- Low Cost
- 9900-Family Peripheral
- Performs Interrupt and I/O Interface functions:
 - Six Dedicated Interrupt Lines
 - Seven Dedicated I/O Lines
 - Nine Programmable Lines as I/O or Interrupt
 - Up to 15 Interrupt Lines
 - Up to 22 Input Lines
 - Up to 16 Output Lines
- Easily Cascaded for Expansion
- Interval or Event Timer
- Single 5 V Power Supply
- All Inputs and Outputs TTL-Compatible
- Standard 40-Pin Plastic or Ceramic Package
- N-Channel Silicon-Gate MOS Technology.

1.3 APPLICATION OVERVIEW

The following example of a typical application may help introduce the user to the TMS 9901 PSI. Figure 1 is a block diagram of a typical application. Each of the ideas presented below is described in more detail in later sections of this manual.

The TMS 9901 PSI interfaces to the CPU through the Communications Register Unit (CRU) and the interrupt control lines as shown in Figure 1. The TMS 9901 occupies 32 bits of CRU input and output space. The five least significant bits of address bus are connected to the S lines of the PSI to address one of the 32 CRU bits of the TMS 9901. The most significant bits of the address bus are decoded on CRU cycles to select the PSI by taking its chip enable (\overline{CE}) line active (LOW).

Interrupt inputs to the TMS 9901 PSI are synchronized with $\overline{\phi}$, inverted, and then ANDed with the appropriate mask bit. Once every ϕ clock time, the prioritizer looks at the 15 interrupt input AND gates and generates the interrupt control code. The interrupt control code and the interrupt request line constitute the interrupt interface to the CPU.

After reset all I/O ports are programmed as inputs. By writing to any I/O port, that port will be programmed as an output port until another reset occurs, either software or hardware. Data at the input pins is buffered on to the TMS 9901. Data to the output ports is latched and then buffered off-chip by the PSI's MOS-to-TTL buffers.

The interval timer on the TMS 9901 is accessed by writing a ONE to select bit zero (control bit), which puts the PSI CRU interface in the clock mode. Once in the clock mode the 14-bit clock contents can be read or written. Writing to the clock register will reinitialize the clock and cause it to start decrementing,. When the clock counts to zero, it will cause an interrupt and reload to its initial value. Reading the clock contents permits the user to see the decremter contents at that point in time just before entering the clock mode. The clock read register is not updated when the PSI is in the clock mode.

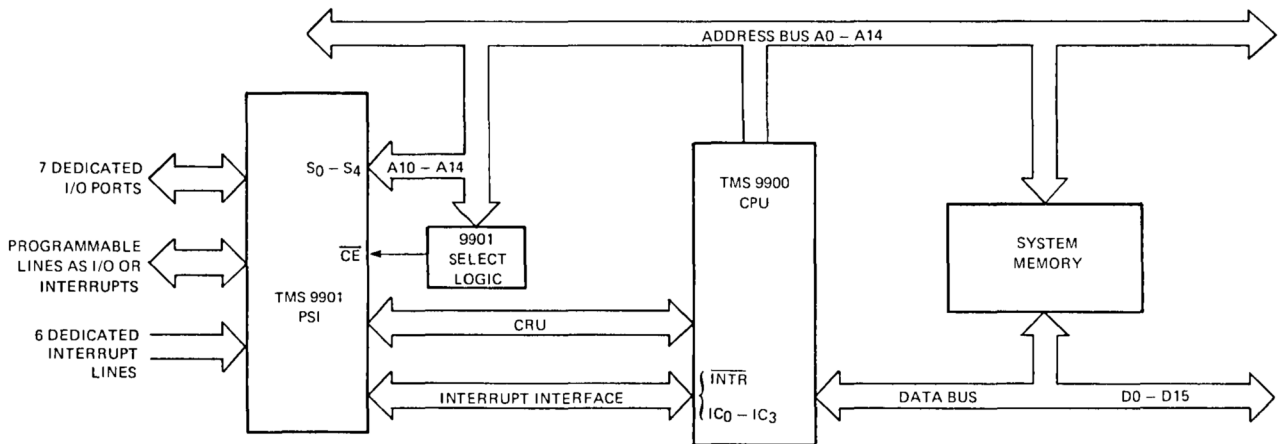


FIGURE 1— TYPICAL TMS 9901 PROGRAMMABLE SYSTEM INTERFACE (PSI) APPLICATION

2. ARCHITECTURE

The architecture of the TMS 9901 Programmable Systems Interface (PSI) is designed to provide the user maximum flexibility when designating system I/O ports and interrupts. The TMS 9901 can be divided into four subsystems: CRU interface, interrupt interface, input/output interface, and interval timer. Figure 2 is a general block diagram of the TMS 9901 internal architecture. Each of the subsystems of the PSI is discussed in detail in subsequent paragraphs.

2.1 CRU Interface

The CPU communicates with the TMS 9901 PSI via the CRU. The TMS 9901 occupies 32 bits in CRU read space and 32 bits in CRU write space. Table 1 shows the mapping for CRU bit addresses to TMS 9901 functions.

The CRU interface consists of five address select lines (S0-S4), chip enable (\overline{CE}), and the three CRU lines (CRUIN, CRUOUT, CRUCLK). The select lines (S0-S4) are connected to the five least significant bits of the address bus; for a TMS 9900 system S0-S4 are connected to A10-A14, respectively. Chip enable (\overline{CE}) is generated by decoding the most significant bits of the address bus on CRU cycles; for a 9900 based system address bits 0-9 would be decoded. When \overline{CE} goes active (LOW), the five select lines point to the CRU bit being accessed. When \overline{CE} is inactive (HIGH), the PSI's CRU interface is disabled.

NOTE

When \overline{CE} is inactive (HIGH) the 9901 sets its CRUIN pin to high impedance and disables CRUCLK from coming on chip. This means that CRUIN can be used as an OR tied bus. When \overline{CE} is high the 9901 will still see the select lines, but no command action is taken.

In the case of a write operation, the TMS 9901 strobes data off the CRUOUT line with CRUCLK. For a read operation, the data is sent to the CPU on the CRUIN line.

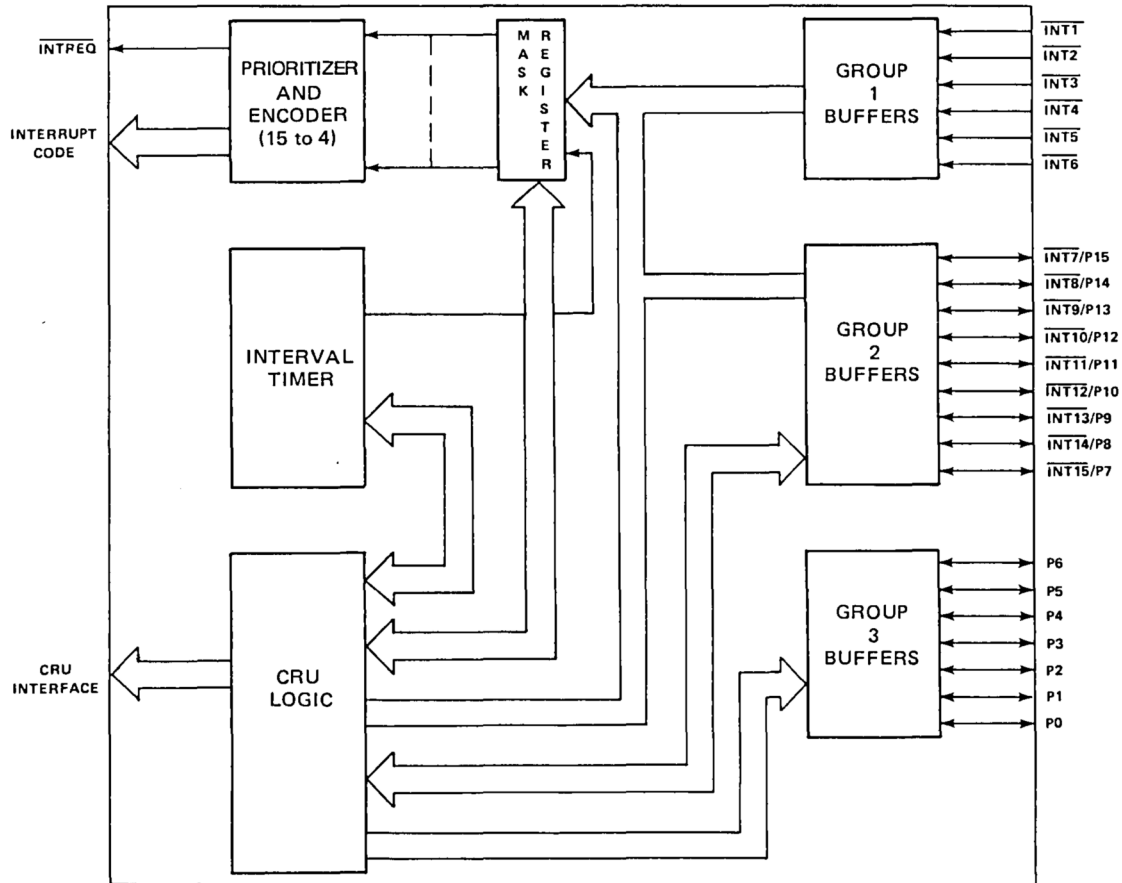


FIGURE 2—TMS 9901 PSI BLOCK DIAGRAM

Several TMS 9901 devices may be cascaded to expand I/O and interrupt handling capability simply by connecting all CRU and address select lines in parallel and providing each device with a unique chip enable signal: the chip enable (\overline{CE}) is generated by decoding the high-order address bits (A0-A9) on CRU cycles.

For those unfamiliar with the CRU concept, the following is a discussion of how to build a CRU interface. The CRU is a bit addressable (4096 bits), synchronous, serial interface over which a single instruction can transfer between one and 16 bits serially. Each one of the 4096 bits of the CRU space has a unique address and can be read and written to. During multi-bit CRU transfers, the CRU address is incremented at the beginning of each CRU cycle to point to the next consecutive CRU bit.

TABLE 1
CRU SELECT BIT ASSIGNMENTS

CRU Bit	S ₀ S ₁ S ₂ S ₃ S ₄	CRU Read Data	CRU Write Data
0	0 0 0 0 0	CONTROL BIT ⁽¹⁾	CONTROL BIT ⁽¹⁾
1	0 0 0 0 1	$\overline{\text{INT}}1/\text{CLK}1$ ⁽²⁾	Mask 1/CLK1 ⁽³⁾
2	0 0 0 1 0	$\overline{\text{INT}}2/\text{CLK}2$	Mask 2/CLK2
3	0 0 0 1 1	$\overline{\text{INT}}3/\text{CLK}3$	Mask 3/CLK3
4	0 0 1 0 0	$\overline{\text{INT}}4/\text{CLK}4$	Mask 4/CLK4
5	0 0 1 0 1	$\overline{\text{INT}}5/\text{CLK}5$	Mask 5/CLK5
6	0 0 1 1 0	$\overline{\text{INT}}6/\text{CLK}6$	Mask 6/CLK6
7	0 0 1 1 1	$\overline{\text{INT}}7/\text{CLK}7$	Mask 7/CLK7
8	0 1 0 0 0	$\overline{\text{INT}}8/\text{CLK}8$	Mask 8/CLK8
9	0 1 0 0 1	$\overline{\text{INT}}9/\text{CLK}9$	Mask 9/CLK9
10	0 1 0 1 0	$\overline{\text{INT}}10/\text{CLK}10$	Mask 10/CLK10
11	0 1 0 1 1	$\overline{\text{INT}}11/\text{CLK}11$	Mask 11/CLK11
12	0 1 1 0 0	$\overline{\text{INT}}12/\text{CLK}12$	Mask 12/CLK12
13	0 1 1 0 1	$\overline{\text{INT}}13/\text{CLK}13$	Mask 13/CLK13
14	0 1 1 1 0	$\overline{\text{INT}}14/\text{CLK}14$	Mask 14/CLK14
15	0 1 1 1 1	$\overline{\text{INT}}15/\text{INTREQ}$ ⁽⁷⁾	Mask 15/ $\overline{\text{RST}}2$ ⁽⁴⁾
16	1 0 0 0 0	PO Input ⁽⁵⁾	PO Output ⁽⁶⁾
17	1 0 0 0 1	P1 Input	P1 Output
18	1 0 0 1 0	P2 Input	P2 Output
19	1 0 0 1 1	P3 Input	P3 Output
20	1 0 1 0 0	P4 Input	P4 Output
21	1 0 1 0 1	P5 Input	P5 Output
22	1 0 1 1 0	P6 Input	P6 Output
23	1 0 1 1 1	P7 Input	P7 Output
24	1 1 0 0 0	P8 Input	P8 Output
25	1 1 0 0 1	P9 Input	P9 Output
26	1 1 0 1 0	P10 Input	P10 Output
27	1 1 0 1 1	P11 Input	P11 Output
28	1 1 1 0 0	P12 Input	P12 Output
29	1 1 1 0 1	P13 Input	P13 Output
30	1 1 1 1 0	P14 Input	P14 Output
31	1 1 1 1 1	P15 Input	P15 Output

NOTES:

- (1) 0 = Interrupt Mode 1 = Clock Mode
- (2) Data present on $\overline{\text{INT}}$ input pin (or clock value) will be read regardless of mask value.
- (3) While in the Interrupt Mode (Control Bit = 0) writing a "1" into mask will enable interrupt; a "0" will disable.
- (4) Writing a zero to bit 15 while in the clock mode (Control Bit = 1) executes a software reset of the I/O pins.
- (5) Data present on the pin will be read. Output data can be read without affecting the data.
- (6) Writing data to the port will program the port to the output mode and output the data.
- (7) INTREQ is the inverted status of the $\overline{\text{INTREQ}}$ pin.

When a 99XX CPU executes a CRU Instruction, the processor uses the contents of workspace register 12 as a base address. (Refer to the *9900 Microprocessor Data Manual* for a complete discussion on how CRU addresses are derived.) The CRU address is brought out on the 15-bit address bus; this means that the least significant bit of R12 is not brought out of the CPU. During CRU cycles, the memory control lines ($\overline{\text{MEMEN}}$, $\overline{\text{WE}}$, and $\overline{\text{DBIN}}$) are all inactive; $\overline{\text{MEMEN}}$ being inactive (HIGH) indicates the address is not a memory address and therefore is a CRU address or external instruction code. Also, when $\overline{\text{MEMEN}}$ is inactive (HIGH) and a valid address is present, address bits A0-A2 must all be zero to constitute a valid CRU address; if address bits A0-A2 are other than all zeros, they are indicating an external instruction code. In summary, address bits A3-A14 contain the CRU address to be decoded, address bits A0-A2 must be zero and $\overline{\text{MEMEN}}$ must be inactive (HIGH) to indicate a CRU cycle.

2.2 Interrupt Interface

A block diagram of the interrupt control section is shown in Figure 3. The interrupt inputs (six dedicated, INT1-INT6, and nine programmable) are sampled on the falling edge of $\overline{\phi}$ and latched onto the chip for one $\overline{\phi}$ time by the SYNC LATCH, each $\overline{\phi}$ time. The output of the sync latch is inverted (interrupts are LOW active) and ANDed with its respective mask bit ($\text{MASK} = 1$, INTERRUPT ENABLED). On the rising edge of $\overline{\phi}$, the prioritizer and encoder senses the masked interrupts and produces a four-bit encoding of the highest priority interrupt present (see Tables 2 and 3). The four-bit prioritized code and $\overline{\text{INTREQ}}$ are latched off-chip with a sync latch on the falling edge of the next $\overline{\phi}$, which ensures proper synchronization to the processor.

Once an interrupt goes active (LOW), it should stay active until the appropriate interrupt service routine explicitly turns off the interrupt. If an interrupt is allowed to go inactive before the interrupt service routine is entered, an erroneous interrupt code could be sent to the processor. A total of five clock cycles occur between the time the CPU samples the $\overline{\text{INTREQ}}$ line and the time it samples the IC0-IC3 lines. For example, if an interrupt is active and the CPU recognizes that an interrupt is pending, *but before the CPU can sample the interrupt control lines the interrupt goes inactive*, the interrupt control lines will contain an incorrect code.

The interrupt mask bits on the TMS 9901 PSI are individually set or reset under software control. Any unused interrupt line should have its associated mask disabled to avoid false interrupts: To do this, the control bit (CRU bit zero), is first set to a zero for interrupt mode operation. Writing to TMS 9901 CRU bits 1-15 will enable or disable interrupts 1-15, respectively. Writing a one to an interrupt mask will *enable* that interrupt; writing a zero will *disable* that interrupt. Upon application of $\overline{\text{RST1}}$ (power-up reset), all mask bits are reset (LOW), the interrupt code is forced to all zeros, and $\overline{\text{INTREQ}}$ is held HIGH. Reading TMS 9901 CRU bits 1-15 indicates the status of the respective interrupt inputs; thus, the designer can employ the unused (disabled) interrupt input lines as data inputs (true data in).

2.3 Input/Output Interface

A block diagram of the TMS 9901 I/O interface is shown in Figure 4. Up to 16 individually controlled, I/O ports are available (seven dedicated, P0-P6, and nine programmable) and, as discussed above, the unused dedicated interrupt lines also can be used as input lines (true data in). Thus the 9901 can be configured to have more than 16 inputs. $\overline{\text{RST1}}$ (power-up reset) will program all I/O ports to input mode. Writing data to a port will automatically switch that port to the output mode. Once programmed as an output, a port will remain in output mode until $\overline{\text{RST1}}$ or $\overline{\text{RST2}}$ (command bit) is executed. An output port can be read and indicates the present state of the pin. A pin programmed to the output mode *cannot* be used as an input pin: *Applying an input current to an output pin may cause damage to the TMS 9901*. The TMS 9901 outputs are latched and buffered off-chip, and inputs are buffered onto the chip. The output buffers are MOS-to-TTL buffers and can drive two standard TTL loads.

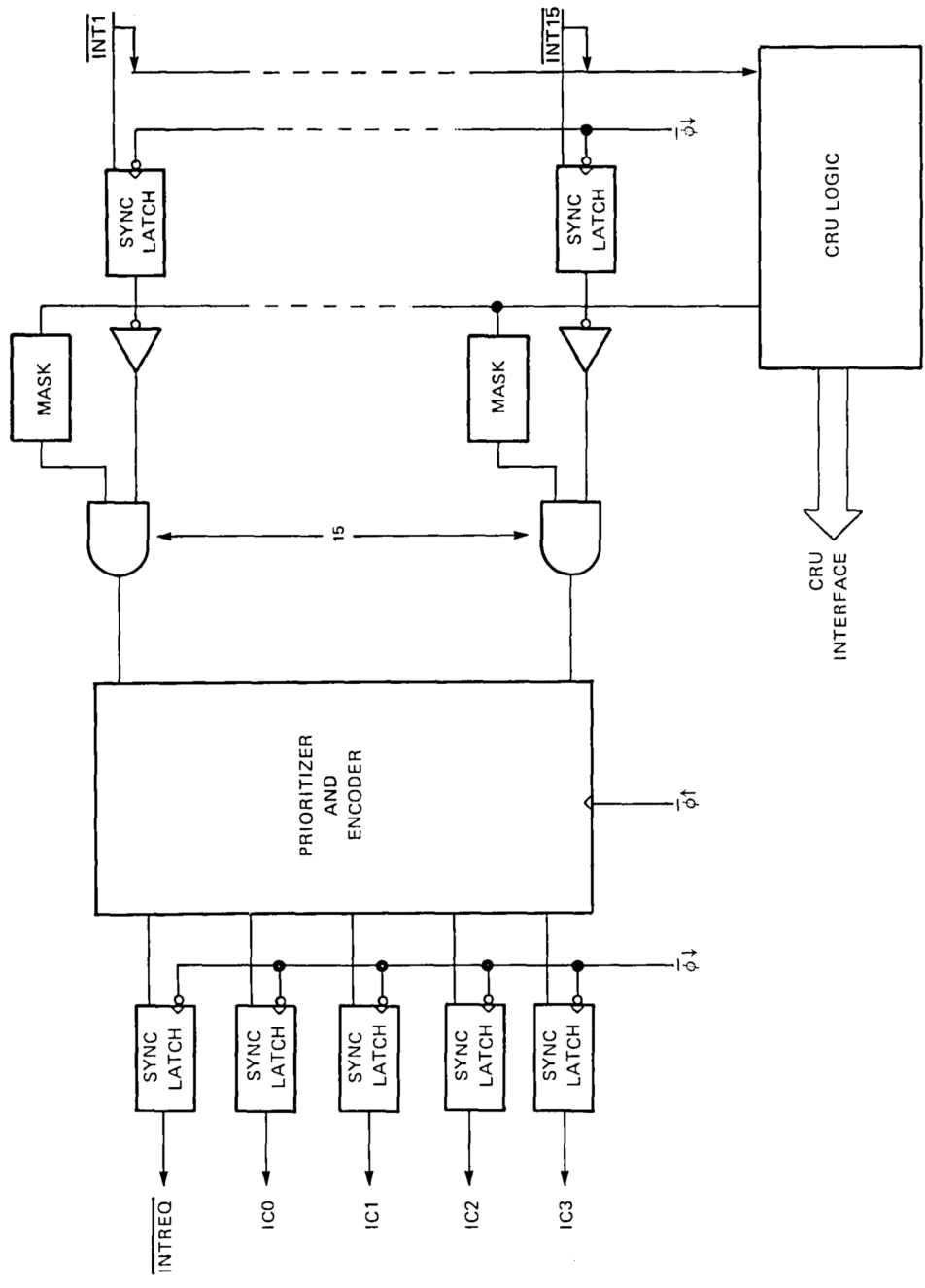


FIGURE 3— TMS 9901 PSI INTERRUPT CONTROL SECTION BLOCK DIAGRAM

TABLE 2
INTERRUPT CODE GENERATION

INTERRUPT/STATE	PRIORITY	Ic0	Ic1	Ic2	Ic3	INTREQ
RST 1	—	0	0	0	0	1
INT 1	1 (HIGHEST)	0	0	0	1	0
INT 2	2	0	0	1	0	0
INT 3/CLOCK	3	0	0	1	1	0
INT 4	4	0	1	0	0	0
INT 5	5	0	1	0	1	0
INT 6	6	0	1	1	0	0
INT 7	7	0	1	1	1	0
INT 8	8	1	0	0	0	0
INT 9	9	1	0	0	1	0
INT 10	10	1	0	1	0	0
INT 11	11	1	0	1	1	0
INT 12	12	1	1	0	0	0
INT 13	13	1	1	0	1	0
INT 14	14	1	1	1	0	0
INT 15	15 (LOWEST)	1	1	1	1	0
NO INTERRUPT	—	1	1	1	1	1

TABLE 3
TMS 9980A OR TMS 9981 INTERRUPT LEVEL DATA

INTERRUPT CODE (IC0-IC2)	FUNCTION	VECTOR LOCATION (MEMORY ADDRESS IN HEX)	DEVICE ASSIGNMENT	INTERRUPT MASK VALUES TO ENABLE (ST12 THROUGH ST15)
1 1 0	Level 4	0 0 1 0	External Device	4 Through F
1 0 1	Level 3	0 0 0 C	External Device	3 Through F
1 0 0	Level 2	0 0 0 8	External Device	2 Through F
0 1 1	Level 1	0 0 0 4	External Device	1 Through F
0 0 1	Reset	0 0 0 0	Reset Stimulus	Don't Care
0 1 0	Load	3 F F C	Load Stimulus	Don't Care
0 0 0	Reset	0 0 0 0	Reset Stimulus	Don't Care
1 1 1	No-Op	-----	-----	

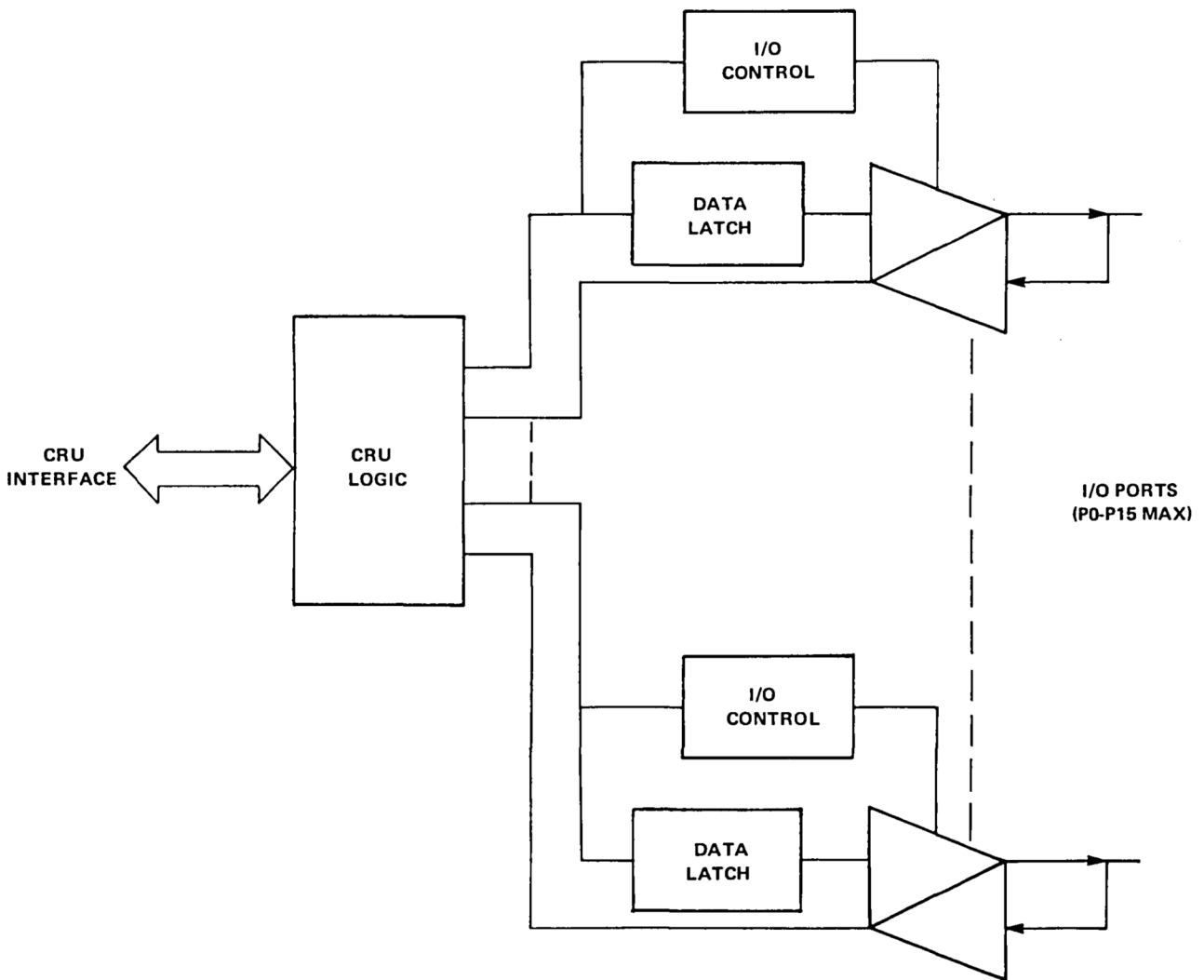


FIGURE 4—TMS 9901 I/O INTERFACE SECTION

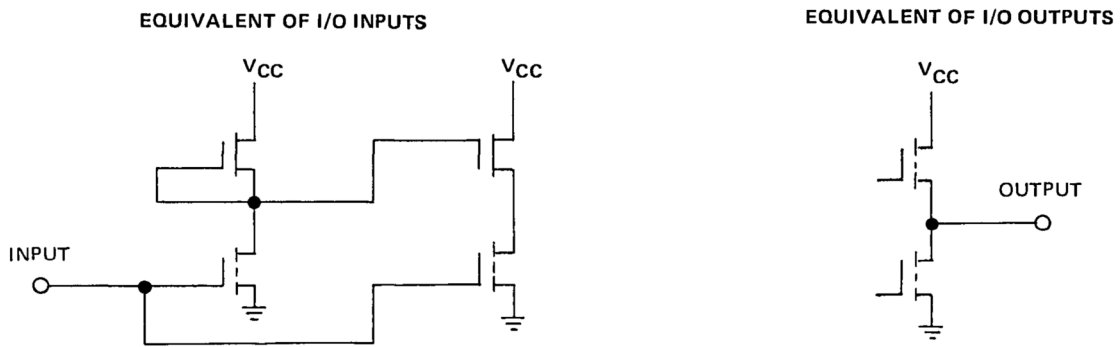


FIGURE 5 – INPUT AND OUTPUT EQUIVALENTS

2.4 Programmable Ports

A total of nine pins ($\overline{\text{INT}}7/\text{P}15$ - $\overline{\text{INT}}15/\text{P}7$) on the TMS 9901 are user-programmable as either I/O ports or interrupts. These pins will assume all characteristics of the type pin they are programmed to be (as described in Sections 2.2 and 2.3). Any pin which is not being used for interrupt should have the appropriate interrupt mask disabled (mask = 0) to avoid erroneous interrupts to the CPU. To program one of the pins as an interrupt, its interrupt mask simply is enabled and the line may be used as if it were one of the dedicated interrupt lines. To program a pin as an I/O port, disable the interrupt mask and use that pin as if it were one of the dedicated I/O ports.

2.5 Interval Timer

Figure 6 is a block diagram of the TMS 9901 interval timer section. The clock consists of a 14-bit counter that decrements at a rate of $f(\phi)/64$ (at 3 MHz this results in a maximum interval of 349 milliseconds with a resolution of 21.3 microseconds). The clock can be used as either an interval timer or an event timer. To access the clock, select bit zero (control bit) must be set to a one. The clock is enabled to cause interrupts by writing a nonzero value to it and is then disabled from interrupting by writing zero to it or by a $\overline{\text{RST}}1$. The clock starts operating at no more than two ϕ times after it is loaded. When the clock decrementer is running, it will decrement down to zero and issue a level-3 interrupt. The decrementer, when it becomes zero, will also be reloaded from the clock register and decremting will start again. (The zero state is counted as any other decrementer state.) The decrementer always runs, but it will not issue interrupts unless enabled; of course, the contents of the unenabled clock read register are meaningless.

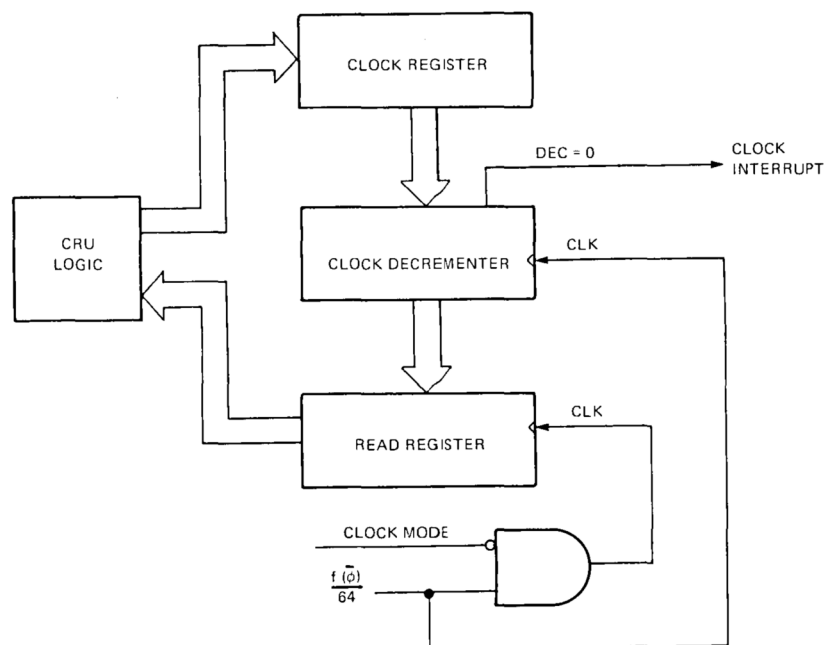


FIGURE 6—TMS 9901 INTERVAL TIMER SECTION

The clock is accessed by writing a one into the control bit (TMS 9901 CRU bit zero) to force CRU bits 1-15 to clock mode. Writing a nonzero value into the clock register then enables the clock and sets its time period. When the clock is enabled, it interrupts on level 3 and external level-3 interrupts are disabled. The mask for level 3 in the PSI must be set to a one so that the processor will see the clock interrupt. When the clock interrupt is active, the clock mask (mask bit 3) must be written into with either a one or zero to clear the interrupt; writing a zero also disables further interrupts.

If a new clock value is required, a new 14-bit clock start value can be programmed by executing a CRU write operation to the clock register. During programming, the decremter is restarted with the current start value after each start value bit is written. A timer restart is easily implemented by writing a single bit to any of the clock bits. The clock is disabled by $\overline{RST1}$ (power up reset) or by writing a zero value into the clock register; $\overline{RST2}$ does not affect the clock.

The clock read register is updated every time the decremter decrements when the TMS 9901 is not in clock mode. There are two methods to leave the clock mode: first, a zero is written to the control bit; or second, a TMS 9901 select bit greater than 15 is accessed. Note that when \overline{CE} is inactive(HIGH), the PSI is not disabled from seeing the select lines. As the CPU is addressing memory, A10-A14 could very easily have a value of 15 or greater — A10-A14 are connected to the select lines; therefore, the TMS 9901 interval timer section can "think" it is out of clock mode and update the clock read register. Very simply, this means that a value cannot be locked into the clock read register by writing a one to CRU select bit zero (the control bit). The 9901 must be out of clock mode for at least one timer period to ensure that the contents of the clock read register has been updated. This means that to read the most recent contents of the decremter, just before reading, the TMS 9901 *must* not be in the clock mode. The only sure way to manipulate clock mode is to use the control bit (select bit zero). When clock mode is reentered to access the clock read register, updating of the read register will cease. This is done so that the contents of the clock read register will not change while it is being accessed.

2.6 Power-Up Considerations

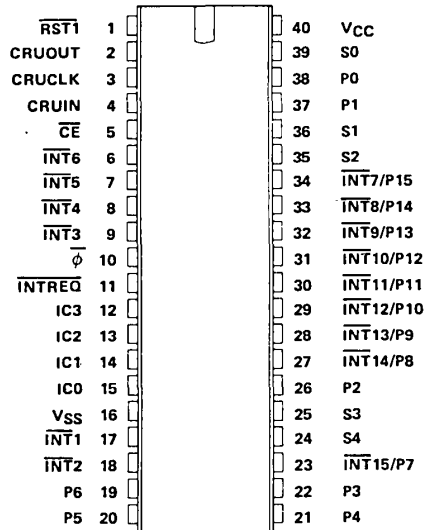
During hardware reset, $\overline{RST1}$ must be active (LOW) for a minimum of two clock cycles to force the TMS 9901 into a known state. $\overline{RST1}$ will disable all interrupts, disable the clock, program all I/O ports to the input mode, and force IC0-IC3 to all zeros with \overline{INTREQ} held HIGH. The system software must enable the appropriate interrupts, program the clock, and configure the I/O ports as required. After initial power-up the TMS 9901 is accessed only as needed to service the clock, enable (disable) interrupts, or read (write) data to the I/O ports. The I/O ports can be reconfigured by use of the $\overline{RST2}$ software reset command bit.

2.7 Pin Descriptions

Table 4 defines the TMS 9901 pin assignments and describes the function of each pin.

TABLE 4
TMS 9901 PIN ASSIGNMENTS AND FUNCTIONS

SIGNATURE	PIN	I/O	DESCRIPTION
$\overline{\text{INTREQ}}$	11	OUT	INTERRUPT Request. When active (low) $\overline{\text{INTREQ}}$ indicates that an enabled interrupt has been received. $\overline{\text{INTREQ}}$ will stay active until all enabled interrupt inputs are removed.
IC0 (MSB)	15	OUT	Interrupt Code lines. IC0-IC3 output the binary code corresponding to the highest priority enabled interrupt. If no enabled interrupts are active IC0-IC3 = (1,1,1,1).
IC1	14	OUT	
IC2	13	OUT	
IC3 (LSB)	12	OUT	
$\overline{\text{CE}}$	5	IN	Chip Enable. When active (low) data may be transferred through the CRU interface to the CPU. $\overline{\text{CE}}$ has no effect on the interrupt control section.
S0	39	IN	Address select lines. The data bit being accessed by the CRU interface is specified by the 5-bit code appearing on S0-S4.
S1	36	IN	
S2	35	IN	
S3	25	IN	
S4	24	IN	
CRUIN	4	OUT	CRU data in (to CPU). Data specified by S0-S4 is transmitted to the CPU by CRUIN. When $\overline{\text{CE}}$ is not active CRUIN is in a high-impedance state.
CRUOUT	2	IN	CRU data out (from CPU). When $\overline{\text{CE}}$ is active, data present on the CRUOUT input will be sampled during CRUCLK and written into the command bit specified by S0-S4.
CRUCLK	3	IN	CRU Clock (from CPU). CRUCLK specifies that valid data is present on the CRUOUT line.
$\overline{\text{RST1}}$	1	IN	Power Up Reset. When active (low) $\overline{\text{RST1}}$ resets all interrupt masks to "0", resets IC0 - IC3 = (0, 0, 0, 0), $\overline{\text{INTERQ}} = 1$, disables the clock, and programs all I/O ports to inputs. $\overline{\text{RST1}}$ has a Schmitt-trigger input to allow implementation with an RC circuit as shown in Figure 7.
VCC	40		Supply Voltage. +5 V nominal.
VSS	16		Ground Reference
$\overline{\phi}$	10	IN	System clock ($\overline{\phi}$ 3 in TMS 9900 system, $\overline{\text{CKOUT}}$ in TMS 9980 system).
$\overline{\text{INT1}}$	17	IN	Group 1, interrupt inputs. When active (Low) the signal is ANDed with its corresponding mask bit and if enabled sent to the interrupt control section. $\overline{\text{INT1}}$ has highest priority.
$\overline{\text{INT2}}$	18	IN	
$\overline{\text{INT3}}$	9	IN	
$\overline{\text{INT4}}$	8	IN	
$\overline{\text{INT5}}$	7	IN	
$\overline{\text{INT6}}$	6	IN	
$\overline{\text{INT7}}$ / P15	34	I/O	Group 2, programmable interrupt (active low) or I/O pins (true logic). Each pin is individually programmable as an interrupt, an input port, or an output port.
$\overline{\text{INT8}}$ / P14	33	I/O	
$\overline{\text{INT9}}$ / P13	32	I/O	
$\overline{\text{INT10}}$ /P12	31	I/O	
$\overline{\text{INT11}}$ /P11	30	I/O	
$\overline{\text{INT12}}$ /P10	29	I/O	
$\overline{\text{INT13}}$ /P9	28	I/O	
$\overline{\text{INT14}}$ /P8	27	I/O	
$\overline{\text{INT15}}$ /P7	23	I/O	Group 3, I/O ports (true logic). Each pin is individually programmable as an input port or an output port.
P0	38	I/O	
P1	37	I/O	
P2	26	I/O	
P3	22	I/O	
P4	21	I/O	
P5	20	I/O	
P6	19	I/O	



3. APPLICATIONS

3.1 Hardware Interface

Figure 7 illustrates the use of a TMS 9901 PSI in a TMS 9900 system. The TIM 9904 clock generator/driver syncs the $\overline{\text{RESET}}$ for both the TMS 9901 and the CPU. The RC circuit on the TIM 9904 provides the power-up and pushbutton $\overline{\text{RESET}}$ input to the clock chip. Address lines A0-A9 are decoded on CRU cycles to select the TMS 9901. Address lines A10-A14 are sent directly to PSI select lines S0-S4, respectively, to select which TMS 9901 CRU bit is to be accessed.

Figure 8 illustrates the use of a TMS 9901 with a TMS 9981 CPU. No TIM 9904 is needed with the TMS 9981, so the reset circuitry is connected directly to the system reset line. The clock (ϕ) then comes from the TMS 9981. All other circuitry is identical to the TMS 9900 system.

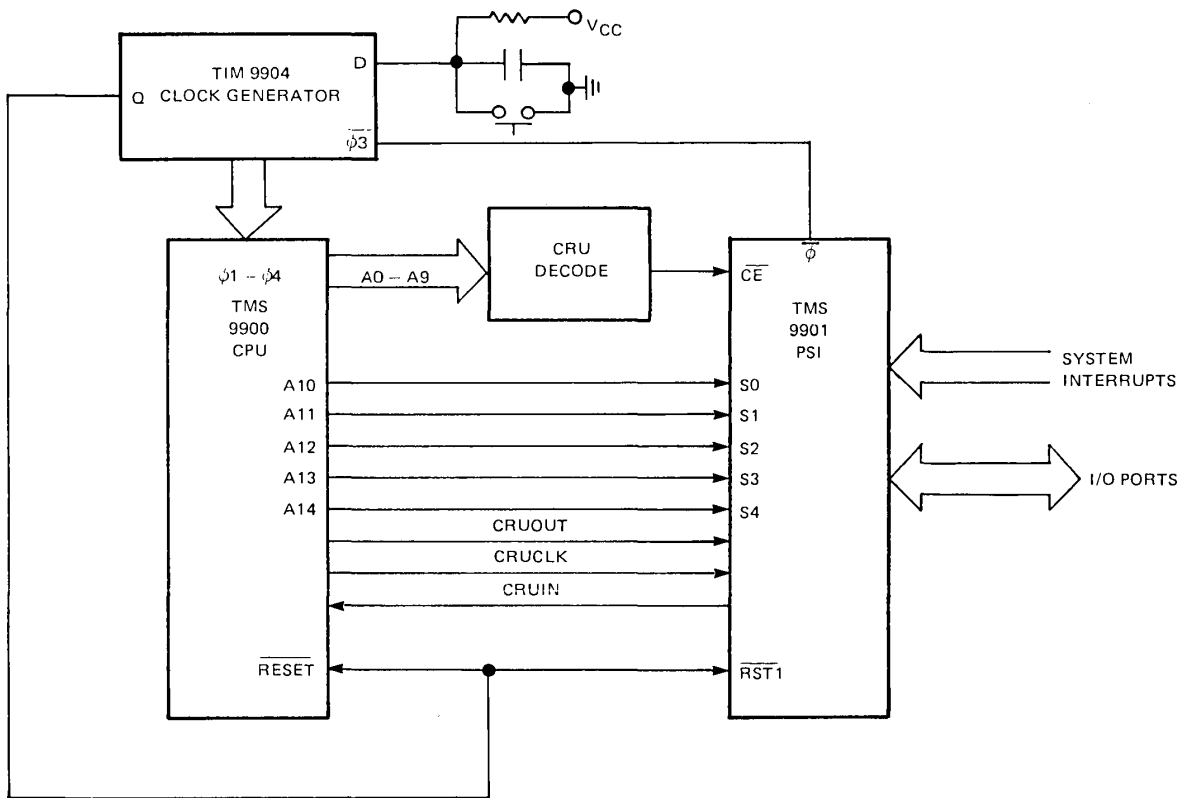


FIGURE 7—TMS 9900/TMS 9901 INTERFACE

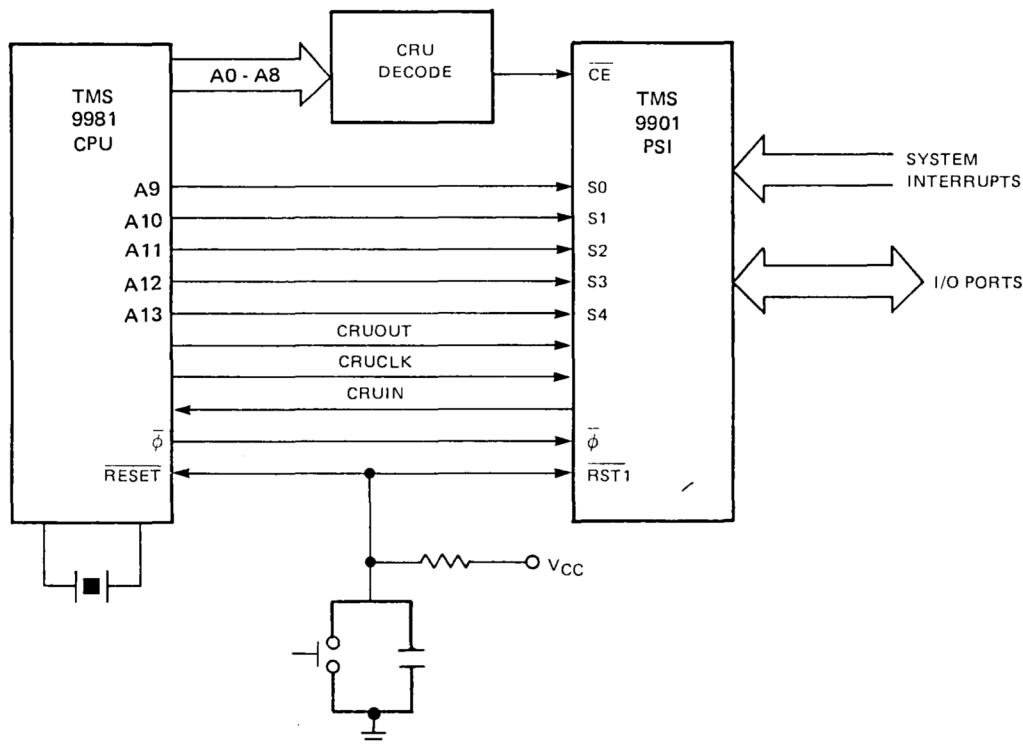


FIGURE 8—TMS 9981/TMS 9901 INTERFACE

3.2 Software Interface

Figure 9 lists the TMS 9900 code needed to control the TMS 9901 PSI. The code initializes the PSI to an eight-bit input port, an eight-bit output port, and enables interrupt levels 1-6. The six dedicated interrupt pins are all used for interrupts; their mask bits are set ON. The nine programmable pins are all used as I/O ports; mask bits 7-15 remain reset. P0-P7 are programmed as an eight-bit output port, and P8-P15 are programmed as an eight-bit input port.

Some code is added to read the contents of the clock read-register. The SBZ instruction takes the TMS 9901 out of clock mode long enough for the clock read register to be updated with the most recent decremter value. When clock mode is reentered, the decremter will cease updating the clock read-register so that the contents of the register will not be changing during a read operation.

The second section of code is typical code found in a clock interrupt service routine. All interrupts initially are disabled by the routine. These functions are not necessary, but are usually done to ensure system integrity. The interrupt mask should be restored as soon as the sensitive processing is complete. The interrupt is counted in the variable COUNT and is then cleared by writing a one to mask bit 3. If a zero is written to mask bit 3 to clear the interrupt, clock interrupt will be disabled from that point onward, but the clock will continue to run.

ASSUMPTION:

- System uses clock at maximum interval (349 msec @ 3MHz)
- Interrupts 1-6 are used
- Eight bits are used as an output port , P0 –P7
- Eight bits are used as an input port , P8 – P15
- $\overline{RST1}$ (power-up reset) has been applied
- The most significant byte of R1 contains data to be output.

LI	R12, PSIBAS	Set up CRU base to point to 9901
LDCR	@CLKSET, 0	16-bit transfer, set clock to max interval
LDCR	@INTSET, 7	Enter interrupt mode and enable interrupts 1 – 6
LI	R12, PSIBAS+32	Set CRU base to I/O ports – output
LDCR	R1, 8	Output byte from R1, program ports 0 – 7 as output
LI	R12, PSIBAS+48	Set CRU base to I/O ports – input
STCR	R2, 8	Store a byte from input port into MSBT of R2
LI	R12, PSIBAS	Set CRU base to 9901
SBZ	0	Leave clock mode so decremented contents can be latched
INCT	R12	Set CRU base to clock read register
SBO	-1	Enter clock mode
STCR	R3, 14	Read 14-bit clock read register contents into R3
CLKSET	DATA	>FFFF
INTSET	BYTE	>7E
CLKINT	\$	Clock interrupt service routine – level 3
	LIMI	0 Disable interrupts at CPU
	INC	@COUNT Count the clock interrupt
	LI	R12, PSIBAS Set CRU base to point to 9901
	SBZ	0 Enter interrupt mode
	SBO	3 Clear clock interrupt

FIGURE 9 – TMS 9900 SAMPLE SOFTWARE TO CONTROL THE TMS 9901

3.3 Interval Timer Application

A TM 990/100M microcomputer board application in which every 10 seconds a specific task must be performed is described below. The TMS 9901 clock is set to interrupt every 333.33 milliseconds. This is accomplished by programming the 14-bit clock register to $3D09_{16}$ ($15,625_{10}$). The TM 990/100M microcomputer board system clock runs at 3 MHz, giving a clock resolution of 21.33 microseconds. A decremter period of 21.33 microseconds multiplied by 15,625 periods until interrupt gives 333.33 milliseconds between interrupts. The interrupt service routine must count 30 interrupts before 10 seconds elapses:

$$f(\text{DEC}) = \frac{f(\phi)}{64}, \quad T(\text{DEC}) = \frac{1}{f(\text{DEC})} = \frac{64}{3,000,000} = 21.3333 \mu\text{s}$$

Figure 10 is a flowchart of the software required to perform the above application, and Figure 11 is a listing of the code. Following the flowchart, the main routine sets up all initial conditions for the 9901 and clock service routine. The interrupt service routine decrements a counter in R2 which was initialized to 30. When the counter in R2 decrements to zero, 10 seconds have elapsed, and the work portion of the service routine is entered. Note carefully that the work portion of the service routine takes longer than 333.33 ms which is the time between clock interrupts from the 9901. Therefore, recursive interrupts are going to occur and some facility must be provided to handle them. Loading a new workspace pointer and transferring the saved WP, PC, and ST (R13-R15) from the interrupt workspace to the new workspace allows one level of recursion.

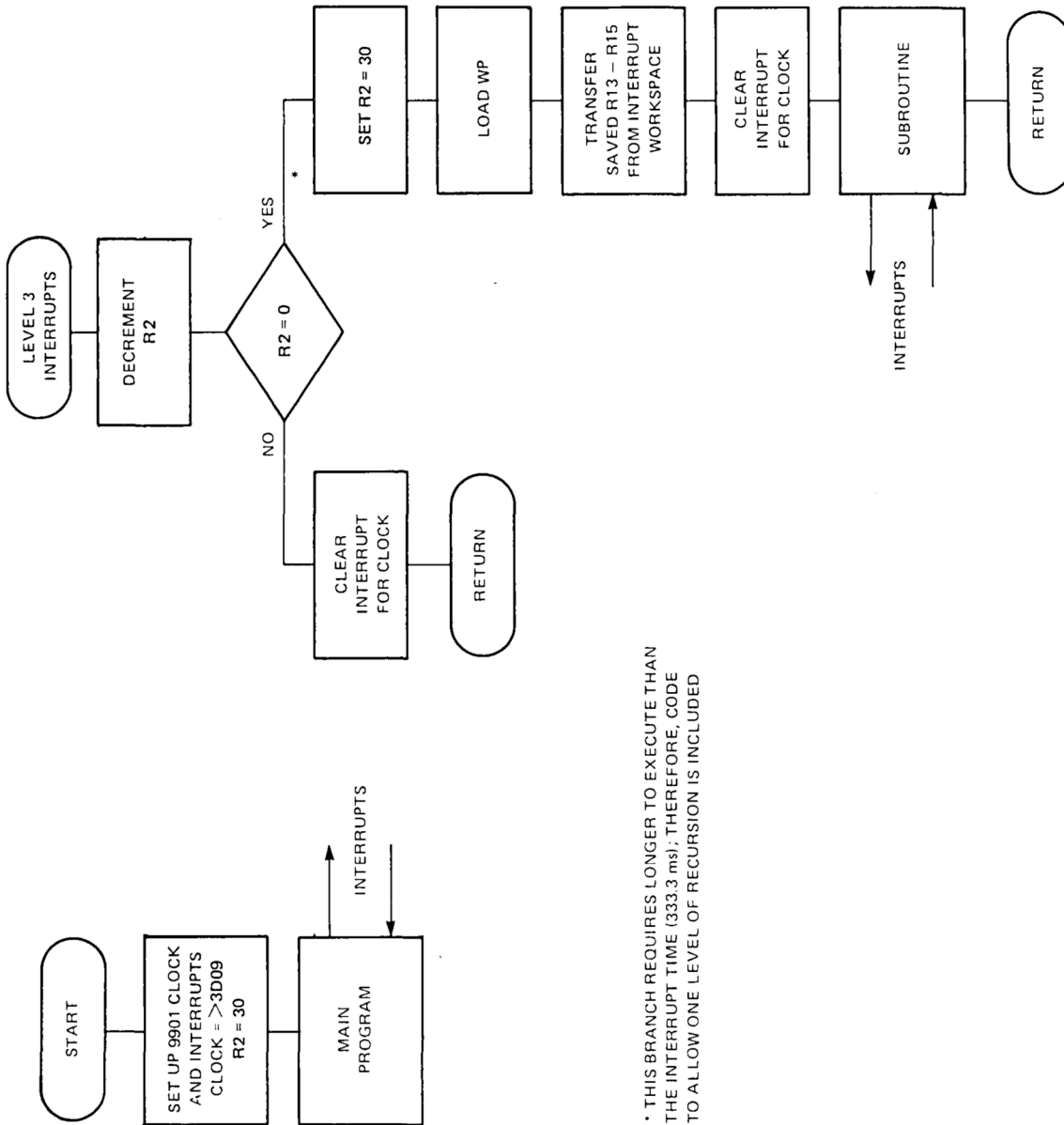


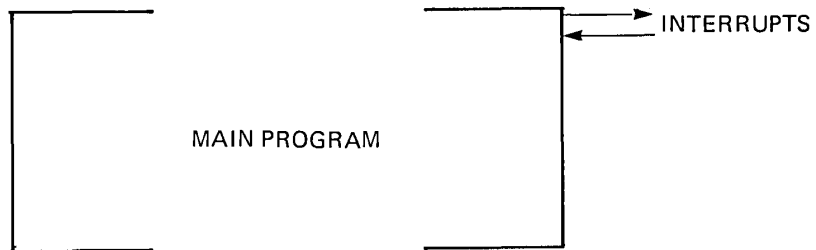
FIGURE 10--TMS 9901 INTERVAL TIMER APPLICATION FLOWCHART

DEVICE INITIALIZATION

```
FE00 02E0 LWPI >FF20
FE02 FF20
FE04 020C LI R12,>100    9901 CRU BASE ADDRESS
FE06 0100
FE08 02E0 LWPI >FF68    INTERRUPT 3 WORKSPACE
FE0A FF68
FE0C 0201 LI R1,>7A13    DATA FOR 333.33MS CLOCK
FE0E 7A13
FE10 0202 LI R2,30       30 X 333.33MS = 10SEC
FE12 001E
FE14 020C LI R12,>100    9901 CRU BASE ADDRESS
FE16 0100
FE18 33C1 LDCR R1,15     LOAD 9901 CLOCK
FE1A 1E00 SBZ 0          SET 9901 TO INTERRUPT MODE
FE1C 1D03 SBD 3          UNMASK INTERRUPT 3
```

MAIN PROGRAM

```
FD00 02E0 LWPI >FF00    MAIN PROGRAM WORKSPACE
FD02 FF00
FD04 0300 LIM1 3        ENABLE INT 0-3
FD06 0003
```



NOTE: This code was assembled using the TM 990/402 line-by-line assembler.

FIGURE 11—INTERVAL TIMER

INTERRUPT 3 SERVICE ROUTINE
(WP = FF68)

```

FD80 0602 DEC R2          COUNT DOWN 30 IN R2
FD82 1302 JEQ >FD88      IF ZERO THEN JUMP
FD84 1D03 SBO 3          CLEAR 9901 CLOCK INTERRUPT
FD86 0380 RTWP          RETURN TO INTERRUPTED ROUTINE
FD88 0202 LI R2,30      RELOAD R2 FOR 10 SEC COUNT DOWN
FD8A 001E
FD8C 0460 B @>FC80      BRANCH TO SUBROUTINE
FD8E FC80

```

ROUTINE TO BE PERFORMED EVERY 10 SECONDS, IT TAKES
LONGER THAN 333.33 MS WHICH IS 9901 CLOCK PERIOD'

```

FC80 02E0 LWPI >FF20     WORKSPACE FOR SUBROUTINE
FC82 FF20
FC84 C360 MOV @>FF82,R13 TRANSFER SAVED WP,PC,ST FROM
FC86 FF82
FC88 C3A0 MOV @>FF84,R14 INT 3 WORKSPACE
FC8A FF84
FC8C C3E0 MOV @>FF86,R15
FC8E FF86
FC90 1D03 SBO 3          CLEAR 9901 CLOCK INTERRUPT
FC92 0300 LIM1 3        ENABLE INT 0-3
FC94 0003

```



ESC0 RTWP

FIGURE 11--(CONCLUDED)

4. TMS 9901 ELECTRICAL SPECIFICATIONS

4.1 Absolute Maximum Ratings Over Operating Free Air Temperature Range (Unless Otherwise Noted) *

Supply voltage, V_{CC}	-0.3 V to 10 V
All inputs and output voltages	-0.3 V to 10 V
Continuous power dissipation	0.85 W
Operating free-air temperature range	0°C to 70°C
Storage temperature range	-65°C to 150°C

*Stresses beyond those listed under "Absolute Maximum Ratings" may cause permanent damage to the device. This is a stress rating only and functional operation of the device at these or any other conditions beyond those indicated in the "Recommended Operating Conditions" section of this specification is not implied. Exposure to absolute maximum rated conditions for extended periods may affect device reliability.

4.2 Recommended Operating Conditions *

PARAMETER	MIN	NOM	MAX	UNIT
Supply voltage, V_{CC}	4.75	5.0	5.25	V
Supply voltage, V_{SS}		0		V
High-level input voltage, V_{IH}	2.0		V_{CC}	V
Low-level input voltage, V_{IL}	$V_{SS} - .3$		0.8	V
Operating free-air temperature, T_A	0		70	°C

4.3 Electrical Characteristics Over Full Range of Recommended Operating Conditions (Unless Otherwise Noted) *

PARAMETER	TEST CONDITIONS	MIN	TYP	MAX	UNIT
V_{OH} High level output voltage	$I_{OH} = -100 \mu A$	2.4		V_{CC}	V
	$I_{OH} = -200 \mu A$	2.2		V_{CC}	V
V_{OL} Low level output voltage	$I_{OL} = 3.2 \text{ mA}$	V_{SS}		0.4	V
I_I Input current (any input)	$V_I = 0 \text{ V to } V_{CC}$			± 100	μA
$I_{CC(av)}$ Average supply current from V_{CC}	$t_c(\phi) = 330 \text{ ns}$, $T_A = 70^\circ C$			150	mA
C_I Small signal input capacitance, any input	$f = 1 \text{ MHz}$			15	pF

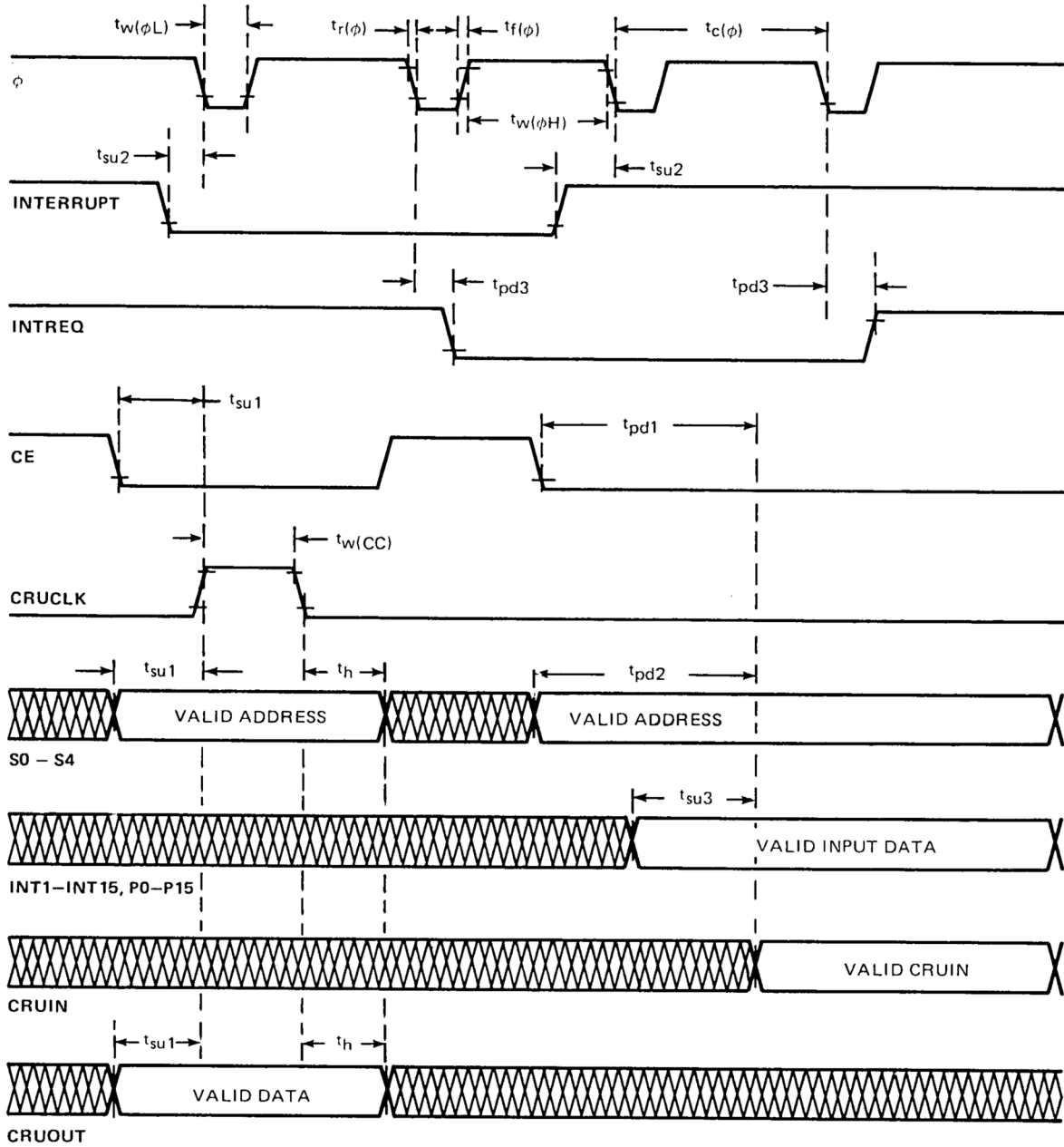
4.4 Timing Requirements Over Full Range of Operating Conditions

PARAMETER	MIN	TYP	MAX	UNIT
$t_{C(\phi)}$ Clock cycle time	300	333	2000	ns
$t_{r(\phi)}$ Clock rise time	5		40	ns
$t_{f(\phi)}$ Clock fall time	10		40	ns
$t_{w(\phi H)}$ Clock pulse width (high level)	225			ns
$t_{w(\phi L)}$ Clock pulse width (low level)	45		300	ns
$t_{w(CC)}$ CRUCLK pulse width	100	185		ns
t_{su1} Setup time for \overline{CE} , S0-S4, or CRUOUT before CRUCLK	100			ns
t_{su2} Setup time for interrupt before $\overline{\phi}$ low	60			ns
t_{su3} Setup time for inputs before valid CRUIN	200			ns
t_h Hold time for \overline{CE} , S0-S4, or CRUOUT after CRUCLK	60			ns

*NOTE: All voltage values are referenced to V_{SS} .

4.5 Switching Characteristics Over Full Range of Recommended Operating Conditions

PARAMETER	TEST CONDITION	MIN	TYP	MAX	UNIT
t_{pd1}	Propagation delay, \overline{CE} to valid CRUIN			300	ns
t_{pd2}	Propagation delay, S0-S4 to valid CRUIN			320	ns
t_{pd3}	Propagation delay, $\overline{\phi}$ low to valid INTREQ, IC0-IC3			110	ns
t_{pd}	Propagation delay, \overline{CRUCLK} to valid data out (P0-P15)			300	ns



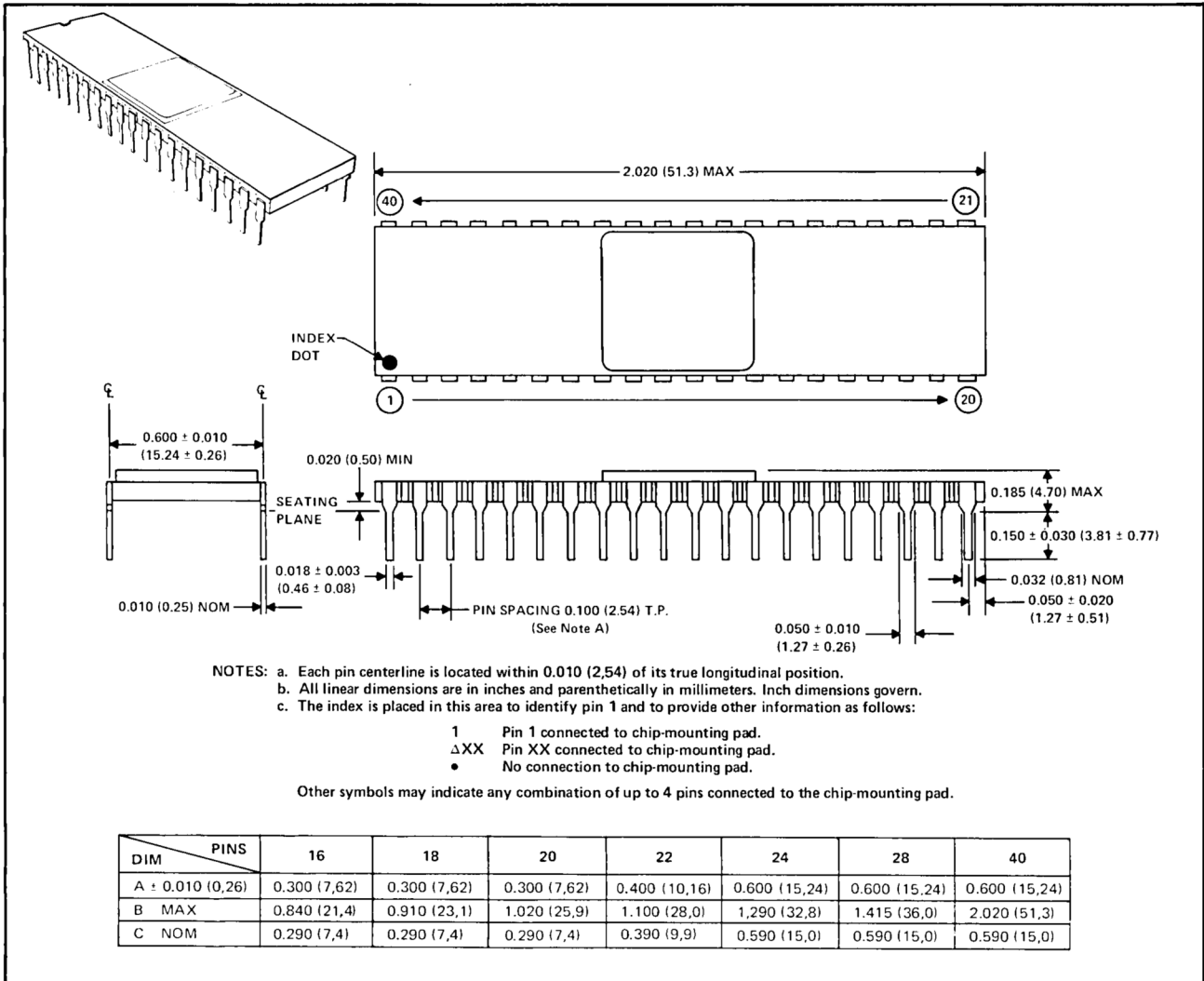
NOTE 1: ALL TIMING MEASUREMENTS ARE FROM 10% and 90% POINTS.

FIGURE 12—SWITCHING CHARACTERISTICS

5. MECHANICAL DATA

5.1 TMS 9901 JL — 40 Pin Ceramic Package

ceramic packages with side-brazed leads and metal or epoxy or glass lid seal



5.2 TMS 9901 NL – 40 Pin Plastic Package

plastic packages

